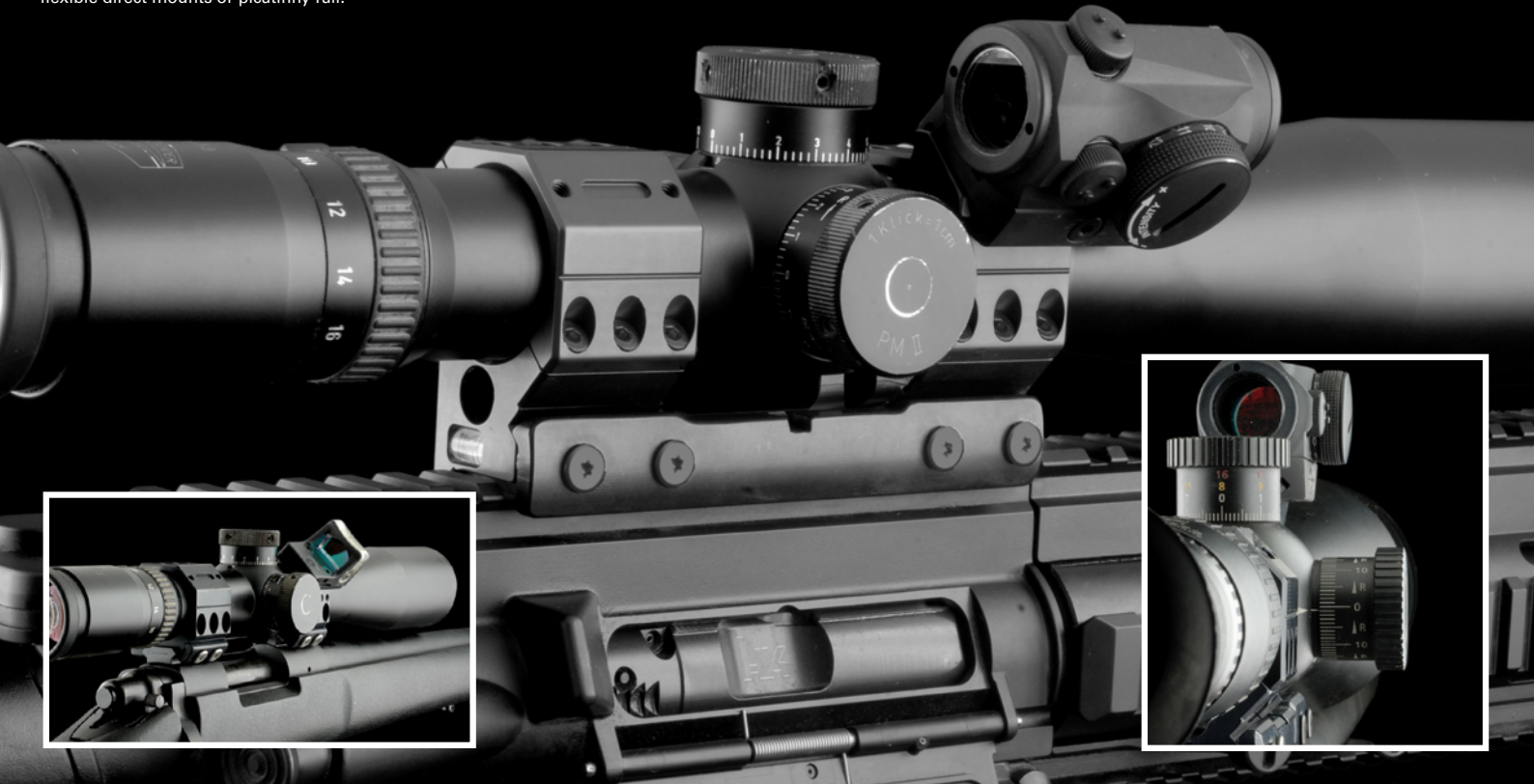




SNIPER/MARKSMAN SIGHT MOUNT

Patent pending

Good interface surfaces on mount for adding multiple optical accessories via flexible direct mounts or picatinny rail.



Extremely sturdy one-piece scopemount, with possibility to attach multiple optical accessories directly to the mount. Built-in level. 45 degree split of the rings gives better view of the turrets. 20MOA, 30MOA or customer specified tilt.

Sleek profile gives good view of the turrets.



Built-in tilt and level and with 45° split of the rings



Included guage makes indexing the scope according to mount and weapon accurate, fast and easy.



HOME OF INNOVATION



SNIPER/MARKSMAN SIGHT MOUNT *Patent pending*

Extremely sturdy scopemount, with possibility to attach multiple optical accessories directly to the mount. Built-in level. 45 degree split of the rings gives better view of the turrets. 20MOA, 30MOA or customer specified tilt.



Durability

Extremely sturdy scopemount to be used on both heavy recoiling sniper rifles as well as marksmans rifles. Prevents damage on scope due to flexing during heavy recoil. The snipers rifle and the spotters carbine can have the same type of mount, making it possible to use same optical equipment on both rifles.

Scope rotation

Patented solution for indexing the rotation of the scope, using an included tool/gauge to index the scope correctly to the mount and gun. A very important feature as a incorrectly indexed scope unintentionally will be adjusted sideways when it is adjusted for elevation.

Tilt

Standard tilt is 20MOA and 30 MOA, other angles are available as options. The tilt is clearly engraved on the mount.

Accessible and readable dials

The rings are cut 45 degrees instead of horizontal as usual, providing several advantages. The screws holding the parts together are not in the way of the windage and parallax turrets, thus the shooter can quickly determine the settings of the turrets. It also gives the shooter a horizontal line that not directly are seen but is existing and thus helping the shooter not to rotate his gun unintentionally. The rings have an indexmark on the top and on the right side, making low turrets more easily readable

Accessories

Possibility of using various accessories such as angle cosine indicator, back up sights, lasers etc. With traditional mounts this can be archived only if there is sufficient space on the middle tube for additional rings, which there rarely is. Sniper/Marksman Sight Mount have interface surfaces directly on the mount, thus making it possible to mount accessories either by Picatinny rails or as direct interfaces for certain accessories as angle cosine indicators and red dot sights. A selection of interfaces for popular accessories are available, and other can be made to specification.

Level

The sight mount have a level included inside the mount. As an option this level can be fitted with Tritium.

Flexibility Of Design

We are extremely flexible and will tailor any product to match the customers' requirements and ideas.

Specification

- Rails interface..... Picatinny rail, Accuracy International dovetail, Sako TRG dovetail and Sig Sauer SSG 3000 rail.
- Ring diameter: 30mm and 34 mm
- Weight 200-250 gram
- Material..... 7075 Aluminium, screws are in Stainless steel.
- Dimension : Length depending on model of sight
- Tilt: 20 MOA, 30 MOA or customer specified.
- Height:..... Customer specified depending on the NV or Thermal clip on system that is used

CREDO

Spuhr provides tactical equipment with innovative designs and solutions with unmatched product quality and reliability. Spuhr excels at simple solutions that are easy to use in stressful situations and under harsh conditions. Spuhr helps to protect those who find themselves to be the tip of the spear. Spuhr is a supplier of products that provides the highest value to our customers. Spuhr works closely with the end user – to provide solutions that maximize your mission effectiveness and fulfill even the most complex requirements; hence our credo: **Your Vision - Our Solution**

CONTACT

Spuhr Inventrix AB

Phone: +46 733 926 770

Fax: +46 46 200 575

E-mail: info@spuhr.com

Web: www.spuhr.com

Address: Box 10

SE-247 23 Dalby

Sweden